



CP35D2



MODEL			CP35D2-TNUG	CP35D2Z-TNUG	
POWER OUTPUT	Rated Output		kW	35.0 ^{*2 *3}	35.0 ^{*2 *3}
			kVA	-	35.0 ^{*2 *3}
	Voltage, Frequency		V , Hz	AC 208 , 60	
	Phase & Wire		-	3 phase , 3 wire	
Modulation		%	0.95 to 1.00		
FUEL	Gas Type		-	Natural	
	Pressure	Standard	in.WC (kPA)	8.03 (2.0)	
		Working Range	in.WC (kPA)	8.0 - 10.0 (2.0 - 2.5)	
Consumption (LHV)		kBTU/hr (kW)	367.6 (107.7)		
HEAT OUTPUT (HEAT RECOVERY)	Rated Recovered Heat		kBTU/hr (kW)	204.1 (59.8)	
	Rated Temp	Inlet	F (C)	167.0 (75.0)	
		Outlet	F (C)	176.0 (80.0) Max: 190.4 (88.0)	
	Rated Hot Water Flow		gal / min (L / min)	46.5 (176.0) when outlet temp 176F (80C)	
INPUT POWER SUPPLY	Input Voltage		V	AC208	
	Starting Current		A	AC46 (Average Current)	
	Rated Power Consumption	Radiator Fan Stop	kW	0.50	
		Radiator Fan Run	kW	1.00	
GROSS EFFICIENCY ^{*1}	Overall Efficiency (LHV)		%	88.0	
	Generating Efficiency (LHV)		%	32.5	
	Exhaust Heat Recovery Rate (LHV)		%	55.5	
OPERATION NOISE	Radiator Fan Stop		dB(A)	63	
	Radiator Fan Run		dB(A)	65	
DIMENSIONS	Width		in (mm)	78.74 (2000)	
	Depth		in (mm)	31.50 (800) Including the width of the leg 35.43 (900)	
	Height		in (mm)	81.30 (2065)	
	Weight - Including Cooling Water & Lubricant		lb (kg)	3064 (1390)	3086 (1400)
MAINTENANCE INTERVAL			Hours	7500	

*1: Test Condition - Temperature 15degC, Humidity 30%, Altitude 0m, with fuel gas maximum heat value in EPA regulation.

*2: Includes electricity consumption.

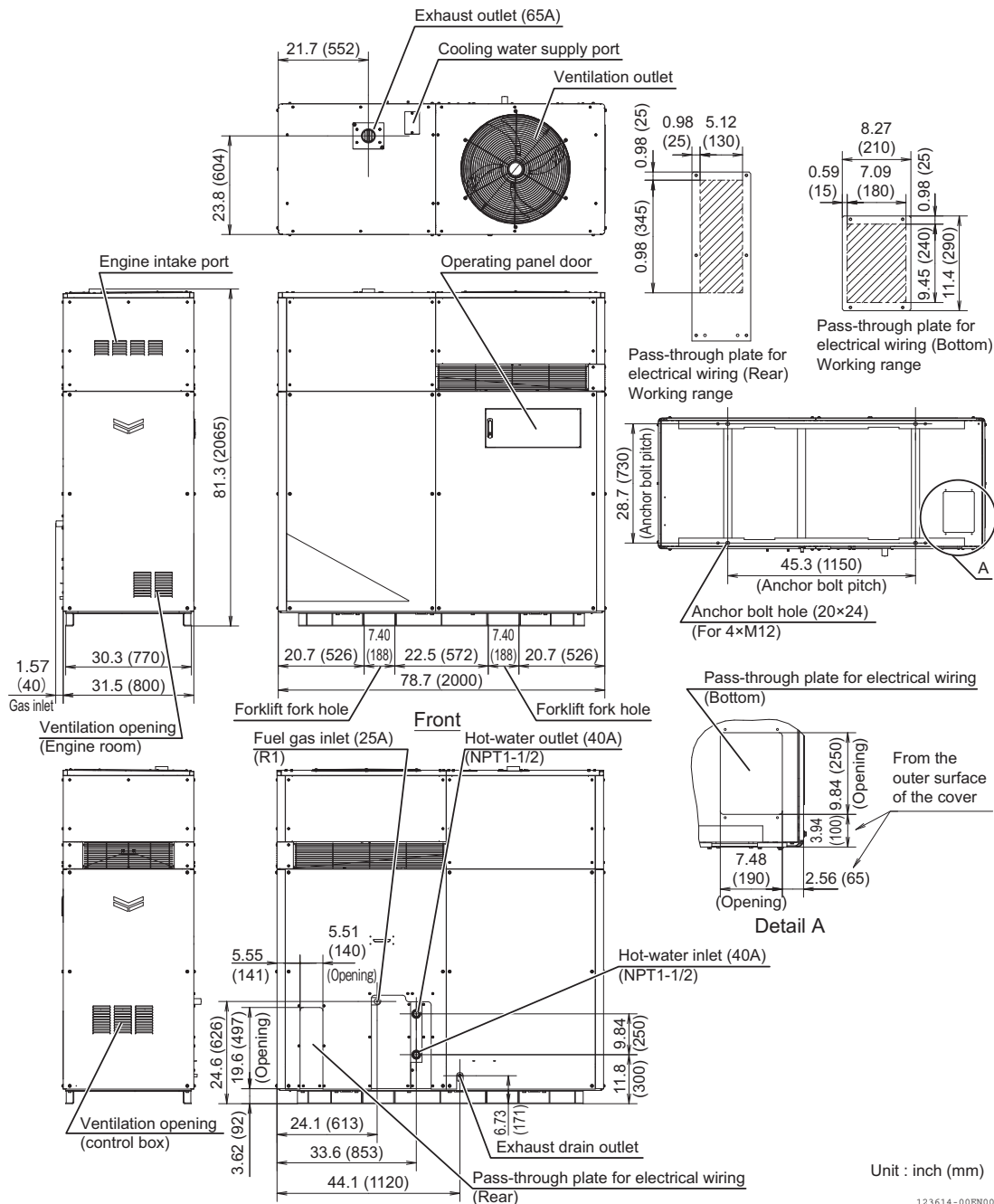
*3: The output values depending on the installation conditions.



CP35D2



[Standard specification]
• CP35D2-TNUG, CP35D2Z-TNUG



Unit : inch (mm)

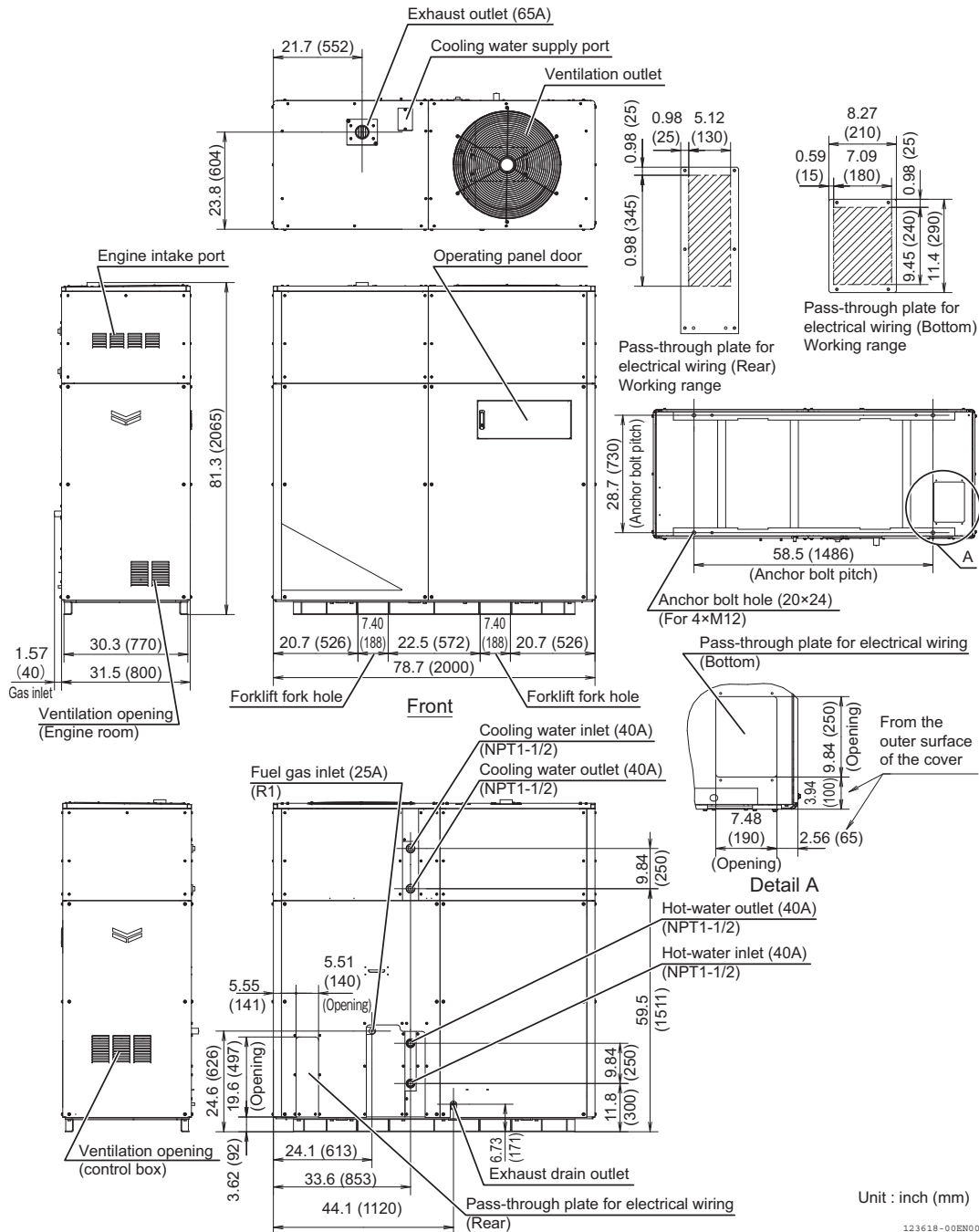
123614-00EN00



CP35D2



[Radiator less specification]
• CP35D2-TNUW, CP35D2Z-TNUW



123618-00EN00